

6th to 7th Grade Math Matters Summer Packet

Due Date: September 6th or 7th to Mrs. Fagan or Moderator

Dear Math Matters students and parents,

This summer, we encourage you to continue to practice your mathematics at home. Being actively involved in mathematical activities enhances learning.

In preparation for the 2017-2018 school year, students are provided with a summer review packet. This packet focuses on some of the prerequisite concepts and skills necessary for student success in 7th grade Math Matters. The packet may be graded at the teacher's discretion, and may receive extra credit.

While completing the review packet, we recommend that students:

- Complete each problem showing all steps used to arrive at the final answer.
- Show all work neatly in the actual packet, if it is printed. (Additional lined paper may be added if necessary.)
- If packet is not printed, then make sure to number each page and problem as it appears on the packet. All work must be neatly presented.
- Box your final answers.
- Label answers when necessary.
- Do NOT use a calculator.
- Do not rush! Use time wisely.
- If you are stuck on a particular problem, check out one of the math websites posted below. Parents may also be able to help. If you are still having difficulty, circle the problem number and be prepared to ask questions in class in September.

Helpful APPS:

<http://www.khanacademy.org>

<http://www.aplusmath.com>

<http://funbrain.com>

<http://aaamath.com>

<http://math.com>

Have a fun and productive summer.

Regards,

Mrs. Fagan
Math Matters Teacher

Name _____ School _____

6th To 7th Grade Math Matters Summer Packet

Write the place and the value for each underlined digit.

	Place	Value
1) 12, <u>9</u> 86,543.24		
2) 1,00 <u>8</u> ,091,452.3		
3) 98,765. <u>8</u> 52		
4) 45.0000 <u>9</u>		
5) <u>7</u> 89,123,456.654		

Round to the nearest hundred.

6) 5673 _____ 7) 15,664 _____

8) 9845 _____ 9) 899.999 _____

Round to the nearest thousand.

10) 3,875.508 _____ 11) 198,756 _____

12) 11,099.099 _____ 13) 9898.9898 _____

Round to the nearest thousandth.

14) 6.16511 _____ 15) 2.00987 _____

16) 1.7865 _____ 17) 4.4563 _____

Name _____ School _____

6th To 7th Grade Math Matters Summer Packet

Round to the greatest nonzero place.

18) 0.76198 _____ 19) 6.8101 _____

20) 7.0897 _____ 21) 3.002 _____

Use <, =, or > to compare the decimals.

22) 3.564 ____ 3.556 23) 0.00714 ____ 0.00741

24) 5.004 ____ 5.014 25) 8.111 ____ 8.101

Order the numbers from least to greatest.

26) 4.098; 4.106; 3.996 _____

27) 12.12; 12.26; 12.16 _____

Order the numbers from greatest to least.

28) 4.75; 4.79; 4.97 _____

29) 71.107; 70.707; 71.707 _____

Use rounding to estimate the sums or differences. Show the work.

30) $12.89 + 4.06 + 8.12$

31) $2.856 - 0.234$

Name _____ School _____

6th To 7th Grade Math Matters Summer Packet

Add or Subtract. Show all your work.

32) $5,601,765 + 11,987,003$

33) $0.0054 + 2.58$

34) $104.76 + 601.2 + 89$

35) $78 + 4.6 + 98.21$

36) $20 - 12.24$

37) $716.47 - 48.66$

38) $1.08 - 0.15$

39) $1.287 - 0.008$

Name _____ School _____

6th To 7th Grade Math Matters Summer Packet

Multiply. Show your work.

40) 47×118

41) 98×6541

42) 86×62

43) 9.5×6.2

44) 49.3×1.5

45) 986.32×7.8

Name _____ School _____

6th To 7th Grade Math Matters Summer Packet

Divide. Show all work.

46) $7.26 \div 1.2$

47) $0.081 \div 0.09$

48) $99.15 \div 0.3$

49) $6.84 \div 3.8$

50) $42.84 \div 8.4$

51) $0.91 \div 0.7$

Name _____ School _____

6th To 7th Grade Math Matters Summer Packet

Add, subtract, multiply or divide. Answer should be always in simplest form.

52) $\frac{7}{9} + \frac{1}{2}$

53) $2\frac{5}{7} + 9\frac{1}{4}$

54) $8\frac{2}{5} + \frac{2}{3}$

55) $\frac{3}{4} - \frac{5}{7}$

56) $3\frac{1}{5} - 2\frac{9}{10}$

57) $18\frac{5}{21} - 8\frac{1}{3}$

58) $\frac{1}{4} \times \frac{4}{5}$

59) $2\frac{1}{3} \times \frac{4}{7}$

60) $5\frac{2}{6} \times 3\frac{6}{8}$

Name _____ School _____

6th To 7th Grade Math Matters Summer Packet

61) $8\frac{1}{3} \div 7\frac{1}{7}$

62) $4\frac{1}{2} \div 8$

63) $6\frac{2}{9} \div 2\frac{3}{7}$

Solve the equations showing your work.

64) $e + 3.2 = 7.5$

65) $15x = 225$

66) $\frac{y}{5} = 9$

67) $77 - n = 104$

Complete the operations for the following.

68) $-2 - (-4) = \underline{\hspace{2cm}}$

69) $-18 - 5 = \underline{\hspace{2cm}}$

70) $-23 \times 9 = \underline{\hspace{2cm}}$

71) $-35 \div 7 = \underline{\hspace{2cm}}$

Name _____ School _____

6th To 7th Grade Math Matters Summer Packet

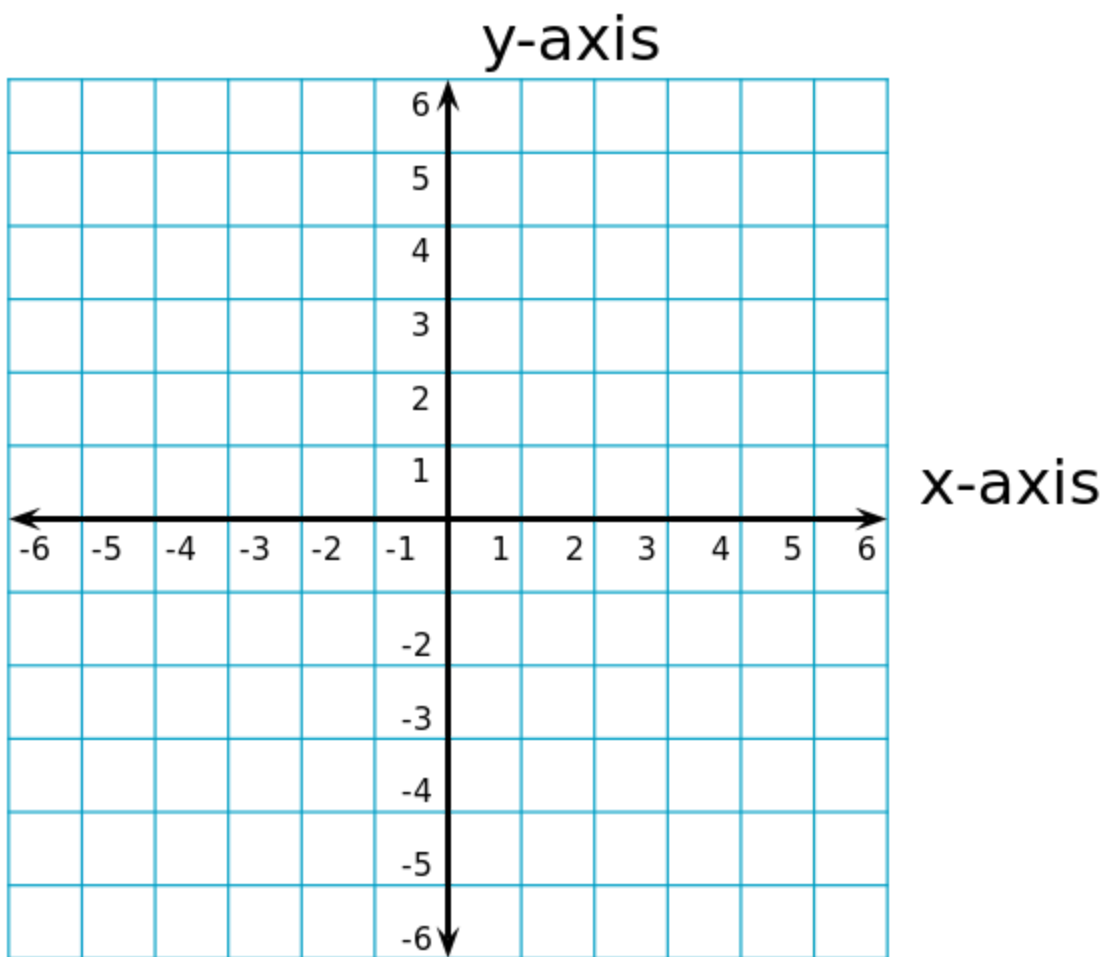
Plot the points on the graph. Label the points with the letter.

72) R(1,2)

73) S(3, -4)

74) T(-4, -2)

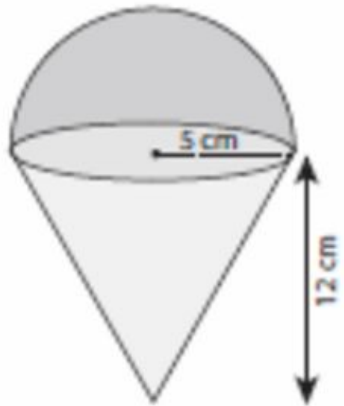
75) U(-5, -5)



Name _____ School _____

6th To 7th Grade Math Matters Summer Packet

76) Find the area of the combined figure. Show all work. Use 3.14 for pi.



77) Find the volume of the combined figure.

